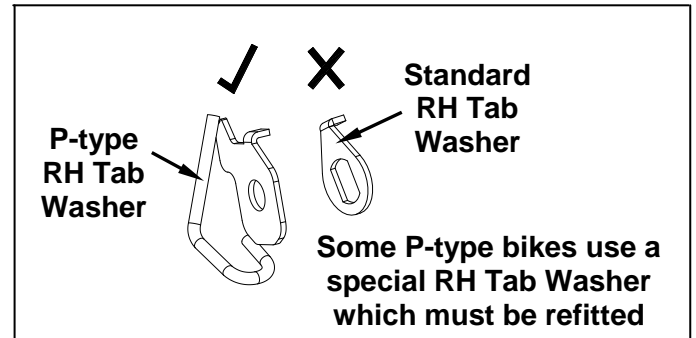
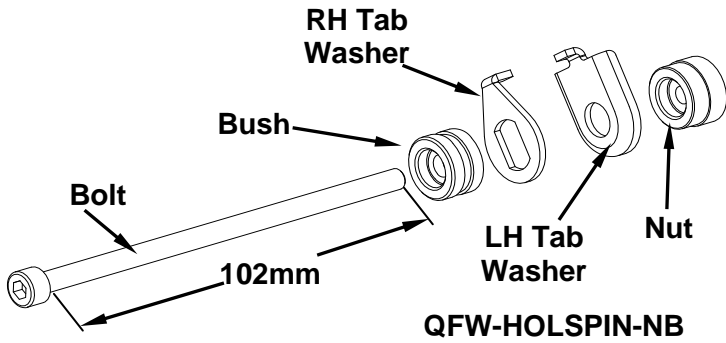


Axle Fastener Kit for Dynohub and Xtralight Front Hubs

This QFW-HOLSPIN-NB Axle Fastener kit (with a 102mm long bolt) can be used with any Dynohub and Xtralight front wheels, with a hollow through-axle. The kit secures the front wheel into the front fork and is secured using an Allen bolt.

Important: The Bolt (102mm), Bush and Nut in this kit are matched together to ensure that they fit all Brompton hollow axle front hubs and **must not** be mixed with older parts so when replacing an existing fastener kit discard the old parts before fitting the new.



The kit is used as follows:

Insert the Bolt through the Bush then the RH tab-washer and into the axle from the RH side. Ensure the LH tab-washer and wire-form is in place and screw-on the Nut with the knurled detail outermost and tighten to 8Nm maximum keeping the wheel central between the forks.

