

E-BIKE BAG FRAME CATCH RE-FITTING PROCESS

IMPORTANT INFORMATION

- It is vital that you follow the correct fitting procedure and tighten all fixings correctly

PARTS REQUIRED

- T8 Torx screwdriver

REMOVAL OF OLD CATCH

Remove the 2x T8 screws holding the pivot stop in place (Fig. 1).

Slide down and remove the pivot stop, with the spring attached, from the bag frame (Fig. 2).

Push the catch from the other side to remove it from the bag frame (Fig. 3).

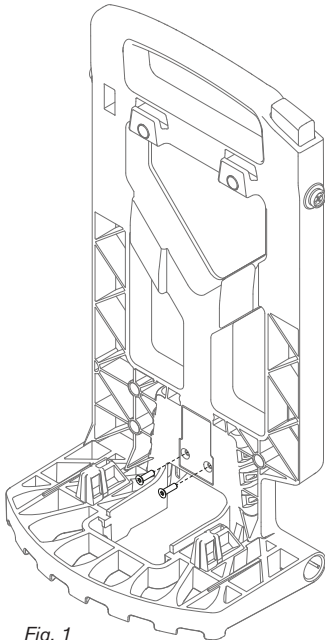


Fig. 1

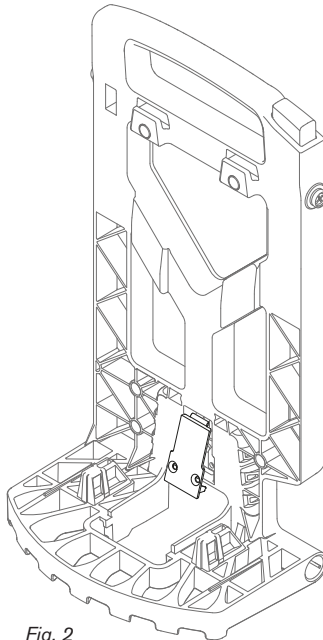


Fig. 2

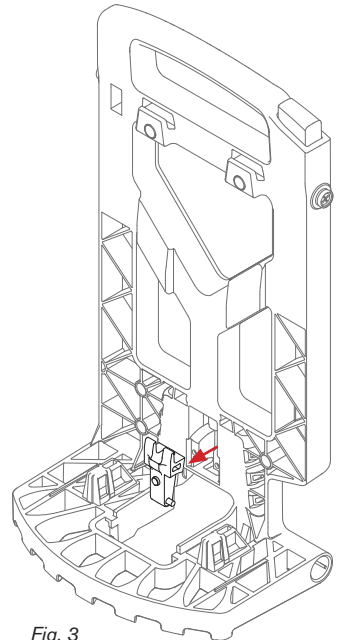


Fig. 3

Push the catch pivot to remove it from the catch. Discard the old catch, and keep everything else (Fig. 4).

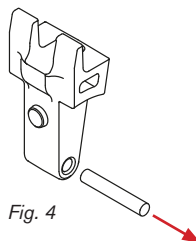


Fig. 4

FITTING OF NEW CATCH

Insert the catch pivot into the new catch by sliding it through (Fig. 5). Make sure it is centred.

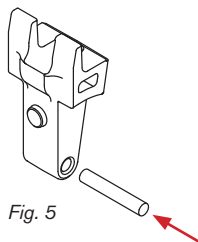


Fig. 5

Slide the catch, top end first, into the bag frame with the boss facing outwards (Fig. 6). Press the catch down to engage the catch pivot with the slots in the bag frame.

Place the pivot stop onto the bag frame by sliding the top end in first (Fig. 7), then aligning the two holes on the pivot stop with the two holes on the bag frame.

Screw in the pivot stop by tightening 2x T8 screws to 0.5Nm (Fig. 8).

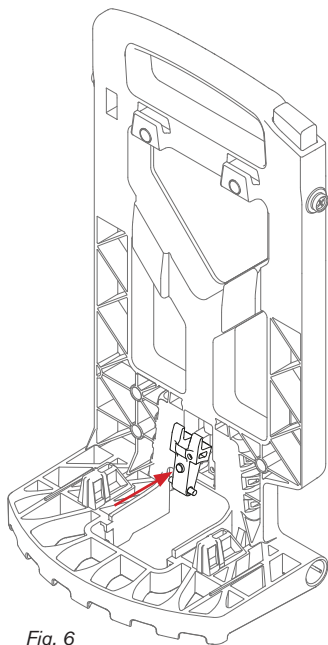


Fig. 6

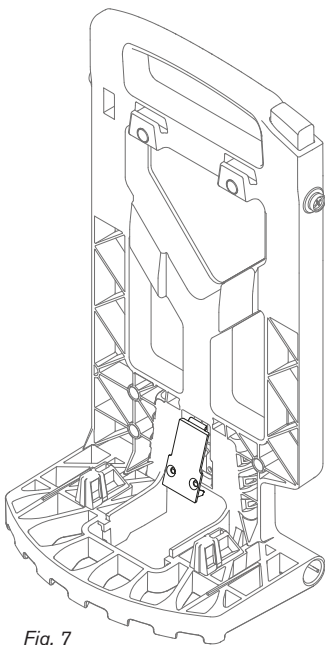


Fig. 7

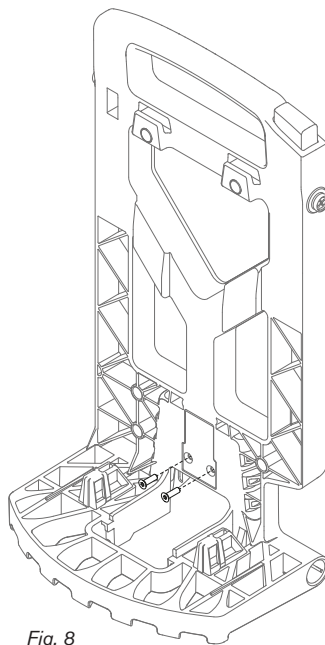


Fig. 8

